



LOAD SHEET & BALANCE CHART

(CS-LSA / ASTM LSA MTOW 600 KG)

PS-28 Cruiser

NOTES:

REGISTRATION: **EXAMPLE:**

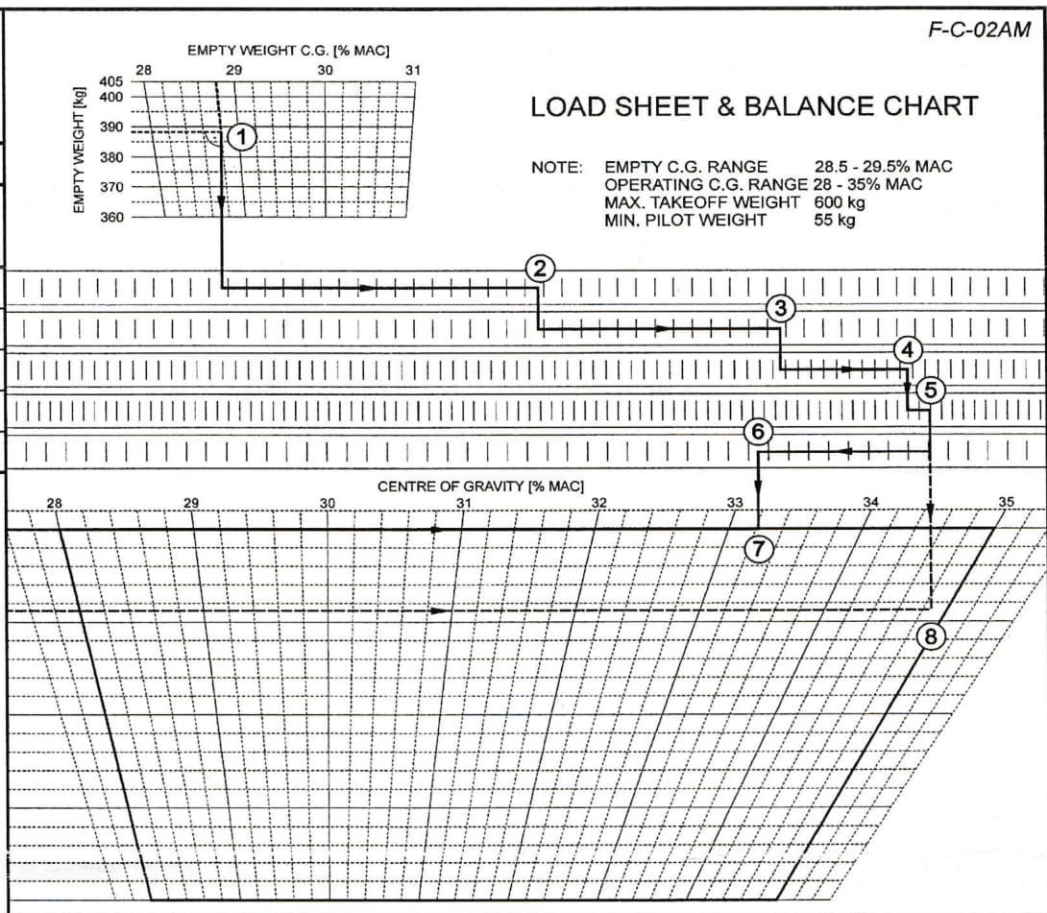
EMPTY C.G.	28,8	% MAC
ITEM	ITEM WEIGHT	SCALE DIVISION AND MOTION DIRECTION
AIRCRAFT EMPTY	387 kg	
PILOT	85 kg	5 kg ▷
PASSENGER	65 kg	5 kg ▷
BAGGAGE COMPARTMENT	10 kg	1 kg ▷
WING LOCKERS	10 kg	5 kg ▷
FUEL IN TANKS	43 kg	5 kg ◁
TAKEOFF WEIGHT	600 kg	
ZERO FUEL WEIGHT	557 kg	

NOTE: CONVERSION OF THE FUEL VOLUME TO WEIGHT UNIT: 1 LITER = 0.72 kg

DATE: _____

PILOT: _____

SIGNATURE: _____



REGISTRATION: **PS-28**

EMPTY C.G.		% MAC
ITEM	ITEM WEIGHT	SCALE DIVISION AND MOTION DIRECTION
AIRCRAFT EMPTY	387	
PILOT		5 kg ▷
PASSENGER		5 kg ▷
BAGGAGE COMPARTMENT		1 kg ▷
WING LOCKERS		5 kg ▷
FUEL IN TANKS		5 kg ◁
TAKEOFF WEIGHT		
ZERO FUEL WEIGHT		

NOTE: CONVERSION OF THE FUEL VOLUME TO WEIGHT UNIT: 1 LITER = 0.72 kg

DATE: _____

PILOT: _____

SIGNATURE: _____

